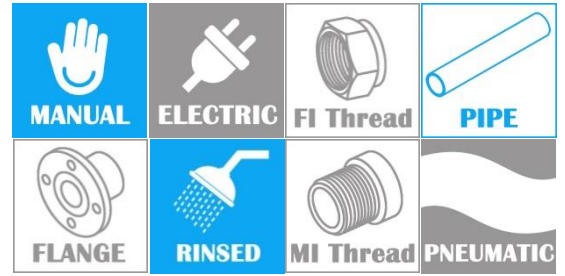
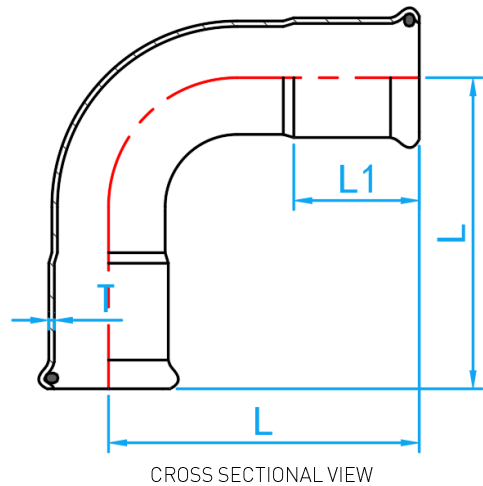


# STAINLESS STEEL 316L PRESS FIT FITTINGS (M PROFILE)

COMPLY WITH BSEN1254-2:1998  
AS 3688:2005  
AS/NZS 4020:2005  
ASTM E1086:2014  
SS 375:2015  
SS 270:2015



## 90° ELBOW



### DIMENSIONS

SKU	SIZE (mm)	L (mm)	L1 (mm)	T (mm)	WEIGHT (kg)	PCS/CTN
SS316LPFNE90015	15	41	20	1.5	0.045	300
SS316LPFNE90020	22	50	21	1.5	0.077	150
SS316LPFNE90025	28	60	23	1.5	0.124	150
SS316LPFNE90035	35	72	26	1.5	0.178	100
SS316LPFNE90042	42	85	31	1.5	0.239	60
SS316LPFNE90050	54	105	36	1.5	0.375	32
SS316LPFNE90065	67	140	50	2.0	0.787	13
SS316LPFNE90080	76	160	51	2.0	0.990	12
SS316LPFNE90100	108	221	75	2.0	2.110	4